

SDD SERIES SOLID STATE RELAY

**SDD-100A005S-1
SDD-100A010S-1
SDD-100A025S-1
SDD-100A040S-1
SDD-100A050S-1
SDD-100A075S-1**

DC Control DC Loading S.S.R



Specifications

MODEL SERIES NO.	CONTROL VOLTAGE	MUST TURN OFF VOLTAGE	INPUT IMPEDANCE	LOADING CURRENT	LOADING VOLTAGE	MIN BLOCKING VOLTAGE	MAX OFF-STATE LEAKAGE	FREQUENCY RANGE	MAX 1-CYCLE PEAK SURGE
SDD-100A005S-1	3 - 32 VDC	MAX 1.0 VDC	1.5 KΩ	5A	5 - 120VDC	200VDC	LESS 3 mA	47-70HZ	6A
SDD-100A010S-1	3 - 32 VDC	MAX 1.0 VDC	1.5 KΩ	10A	5 - 120VDC	200VDC	LESS 5 mA	47-70HZ	15A
SDD-100A025S-1	3 - 32 VDC	MAX 1.0 VDC	1.5 KΩ	25A	5 - 120VDC	200VDC	LESS 7 mA	47-70HZ	35A
SDD-100A040S-1	3 - 32 VDC	MAX 1.0 VDC	1.5 KΩ	40A	5 - 120VDC	200VDC	LESS 7 mA	47-70HZ	52A
SDD-100A050S-1	3 - 32 VDC	MAX 1.0 VDC	1.5 KΩ	50A	5 - 120VDC	200VDC	LESS 7 mA	47-70HZ	150A
SDD-100A075S-1	3 - 32 VDC	MAX 1.0 VDC	1.5 KΩ	75A	5 - 120VDC	200VDC	LESS 7 mA	47-70HZ	225A

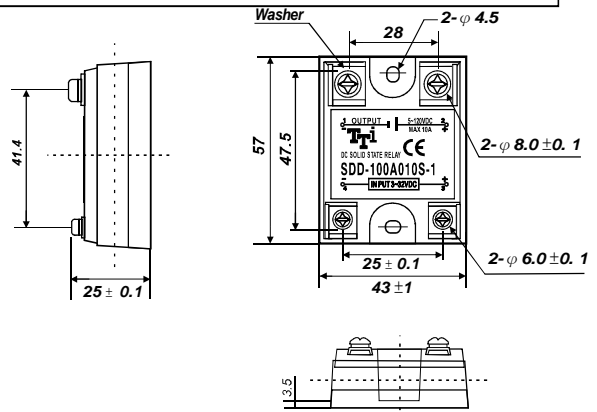
MODEL SERIES NO.	MAX OFF STATE dv/dt	MAX ON-STATE VOLTAGE DROP	ISOLATE IMPEDENCE	DIELECTRIC STRENGTH INPUT-OUTPUT	DIELECTRIC STRENGTH INPUT-OUTPUT-CASE	TURN ON TIME	TURN OFF TIME	CAPACITANCE IN-OUT	WEIGHT (g)
SDD-100A005S-1	200 V/μsec	2.0VACrms	10 ⁹ Ω	4000 VACrms	2500 VACrms	LESS 2 msec	LESS 1/2 AC CYCLE	LESS 15 PF	95 g
SDD-100A010S-1	200 V/μsec	2.0VACrms	10 ⁹ Ω	4000 VACrms	2500 VACrms	LESS 2 msec	LESS 1/2 AC CYCLE	LESS 15 PF	95 g
SDD-100A025S-1	200 V/μsec	2.0VACrms	10 ⁹ Ω	4000 VACrms	2500 VACrms	LESS 2 msec	LESS 1/2 AC CYCLE	LESS 15 PF	95 g
SDD-100A040S-1	200 V/μsec	2.0VACrms	10 ⁹ Ω	4000 VACrms	2500 VACrms	LESS 2 msec	LESS 1/2 AC CYCLE	LESS 15 PF	95 g
SDD-100A050S-1	200 V/μsec	2.0VACrms	10 ⁹ Ω	4000 VACrms	2500 VACrms	LESS 2 msec	LESS 1/2 AC CYCLE	LESS 15 PF	95 g
SDD-100A075S-1	200 V/μsec	2.0VACrms	10 ⁹ Ω	4000 VACrms	2500 VACrms	LESS 2 msec	LESS 1/2 AC CYCLE	LESS 15 PF	95 g

PARTS NO.

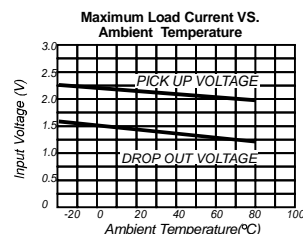
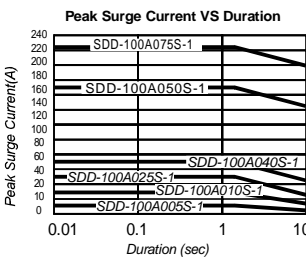
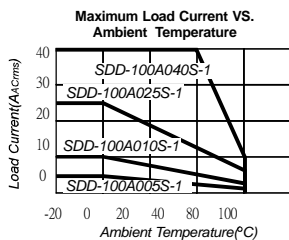
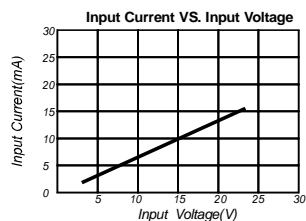
SDD-100A010S-1

Switching Type : Nil= N/A
 Packing : 1 = Screw Type
 Phase : S = Single Phase
 Loading Current : 005 = 5A, 010 = 10A, 025 = 25A, 040 = 40A, 050 = 50A, 075 = 75A
 Control Voltage : A = 3-32VDC
 Loading Voltage : 100 = 5-120VDC
 Control Type : DD = DC Control DC
 S = S.S.R

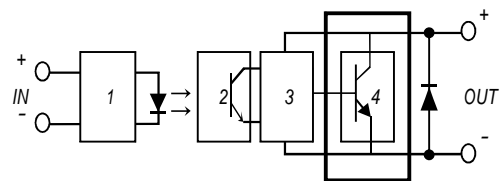
Outline Dimensions (Unit : mm)



Characteristic Curves



Equivalent Circuit



- 1. Input Circuit
- 2. Photo Detector
- 3. Amplifier
- 4. Protect Circuit