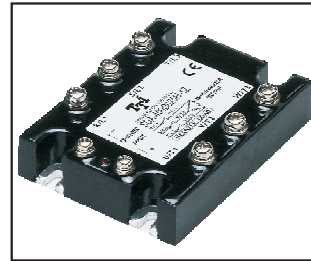


SDA SERIES SOLID STATE RELAY

SDA-400D025J-1Z
SDA-400D040J-1Z
SDA-400D050J-1Z
SDA-400D075J-1Z
SDA-400D090J-1Z
SDA-400D100J-1Z



DC Control AC Loading S.S.R

Specifications

MODEL SERIES NO.	CONTROL VOLTAGE	MUST TURN OFF VOLTAGE	INPUT IMPEDANCE	LOADING CURRENT	LOADING VOLTAGE	MIN BLOCKING VOLTAGE	MAX OFF-STATE LEAKAGE	FREQUENCY RANGE	MAX 1-CYCLE PEAK SURGE
SDA-400D025J-1Z	10 - 32 VDC	MAX 3.0 VDC	1.5 KΩ	25A	48 ~ 480VAC	1200VAC	LESS 10 mA	47-70HZ	250A
SDA-400D040J-1Z	10 - 32 VDC	MAX 3.0 VDC	1.5 KΩ	40A	48 ~ 480VAC	1200VAC	LESS 10 mA	47-70HZ	400A
SDA-400D050J-1Z	10 - 32 VDC	MAX 3.0 VDC	1.5 KΩ	50A	48 ~ 480VAC	1200VAC	LESS 10 mA	47-70HZ	500A
SDA-400D075J-1Z	10 - 32 VDC	MAX 3.0 VDC	1.5 KΩ	75A	48 ~ 480VAC	1200VAC	LESS 10 mA	47-70HZ	750A
SDA-400D090J-1Z	10 - 32 VDC	MAX 3.0 VDC	1.5 KΩ	90A	48 ~ 480VAC	1200VAC	LESS 10 mA	47-70HZ	900A
SDA-400D100J-1Z	10 - 32 VDC	MAX 3.0 VDC	1.5 KΩ	100A	48 ~ 480VAC	1200VAC	LESS 10 mA	47-70HZ	1000A

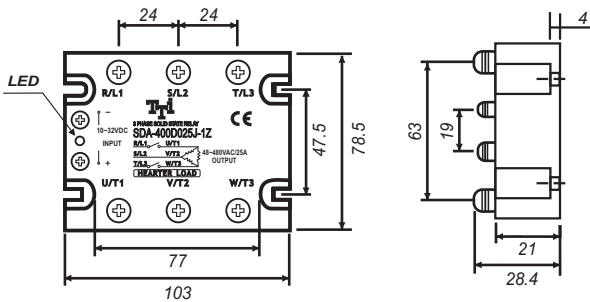
MODEL SERIES NO.	MAX OFF STATE dv/dt	MAX ON-STATE VOLTAGE DROP	ISOLATE IMPEDENCE	DIELECTRIC STRENGTH INPUT-OUTPUT	DIELECTRIC STRENGTH INPUT-OUTPUT-CASE	TURN ON TIME	TURN OFF TIME	CAPACITANCE IN-OUT	WEIGHT (g)
SDA-400D025J-1Z	1000 V/μsec	1.6Vrms	10 ⁹ Ω	4000 VACrms	4000 VACrms	LESS 2 msec	LESS 1/2 AC CYCLE	LESS 473 PF	400 g
SDA-400D040J-1Z	1000 V/μsec	1.6Vrms	10 ⁹ Ω	4000 VACrms	4000 VACrms	LESS 2 msec	LESS 1/2 AC CYCLE	LESS 473 PF	400 g
SDA-400D050J-1Z	1000 V/μsec	1.6Vrms	10 ⁹ Ω	4000 VACrms	4000 VACrms	LESS 2 msec	LESS 1/2 AC CYCLE	LESS 473 PF	400 g
SDA-400D075J-1Z	1000 V/μsec	1.6Vrms	10 ⁹ Ω	4000 VACrms	4000 VACrms	LESS 2 msec	LESS 1/2 AC CYCLE	LESS 473 PF	400 g
SDA-400D090J-1Z	1000 V/μsec	1.6Vrms	10 ⁹ Ω	4000 VACrms	4000 VACrms	LESS 2 msec	LESS 1/2 AC CYCLE	LESS 473 PF	400 g
SDA-400D100J-1Z	1000 V/μsec	1.6Vrms	10 ⁹ Ω	4000 VACrms	4000 VACrms	LESS 2 msec	LESS 1/2 AC CYCLE	LESS 473 PF	400 g

Parts No.

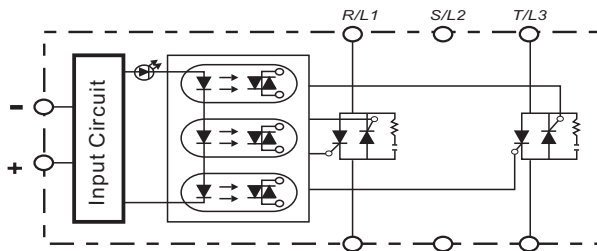
SDA-400D025J-1Z

Switching Type : Z = Zero Crossing
Packing : 1 = Screw Type
Phase : J = Heater Load (Three-Phase Two Line)
Loading Current : 025 = 25A, 040 = 40A, 050 = 50A
 075 = 75A, 090 = 90A, 100 = 100A
Control Voltage : D = 10-32VDC
Loading Voltage : 400 = 48~480VAC
Control Type : DA = DC Control AC
S = S.S.R

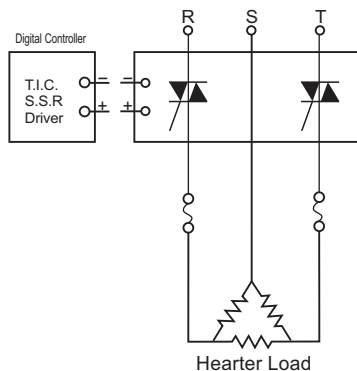
Outline Dimensions (Unit : mm)



Equivalent Circuit

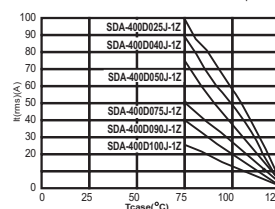


Example : 3Ø S.S.R Application



Characteristic Curves

RMS On-state Current Versus Case Temperature



Non Repetitive Surge On-state Current Versus Number Of Cycles

