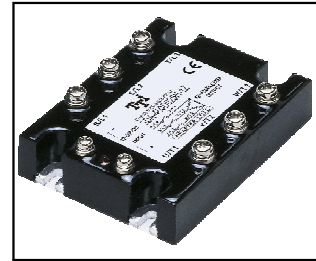


SDA SERIES SOLID STATE RELAY

**SDA-400D025H-1Z
SDA-400D040H-1Z
SDA-400D050H-1Z
SDA-400D075H-1Z
SDA-400D090H-1Z
SDA-400D100H-1Z**



DC Control AC Loading S.S.R

Specifications

MODEL SERIES NO.	CONTROL VOLTAGE	MUST TURN OFF VOLTAGE	INPUT IMPEDANCE	LOADING CURRENT	LOADING VOLTAGE	MIN BLOCKING VOLTAGE	MAX OFF-STATE LEAKAGE	FREQUENCY RANGE	MAX 1-CYCLE PEAK SURGE
SDA-400D025H-1Z	12 - 32 VDC	MAX 9.5 VDC	1.5 KΩ	25A	48 ~ 480VAC	1200VAC	LESS 10 mA	47-63HZ	315A
SDA-400D040H-1Z	12 - 32 VDC	MAX 9.5 VDC	1.5 KΩ	40A	48 ~ 480VAC	1200VAC	LESS 10 mA	47-63HZ	450A
SDA-400D050H-1Z	12 - 32 VDC	MAX 9.5 VDC	1.5 KΩ	50A	48 ~ 480VAC	1200VAC	LESS 10 mA	47-63HZ	560A
SDA-400D075H-1Z	12 - 32 VDC	MAX 9.5 VDC	1.5 KΩ	75A	48 ~ 480VAC	1200VAC	LESS 10 mA	47-63HZ	750A
SDA-400D090H-1Z	12 - 32 VDC	MAX 9.5 VDC	1.5 KΩ	90A	48 ~ 480VAC	1200VAC	LESS 10 mA	47-63HZ	900A
SDA-400D100H-1Z	12 - 32 VDC	MAX 9.5 VDC	1.5 KΩ	100A	48 ~ 480VAC	1200VAC	LESS 10 mA	47-63HZ	1030A

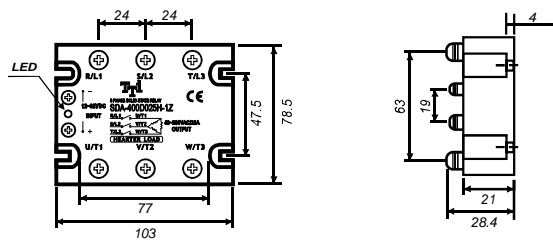
MODEL SERIES NO.	MAX OFF STATE dv/dt	MAX ON-STATE VOLTAGE DROP	ISOLATE IMPEDANCE	DIELECTRIC STRENGTH INPUT-OUTPUT	DIELECTRIC STRENGTH INPUT-OUTPUT-CASE	TURN ON TIME	TURN OFF TIME	CAPACITANCE IN-OUT	WEIGHT (g)
SDA-400D025H-1Z	500 V/μ sec	1.6Vrms	10 ⁹ Ω	2500 VACrms	2500 VACrms	LESS ½ msec	LESS ½ AC CYCLE	LESS 473 PF	600 g
SDA-400D040H-1Z	500 V/μ sec	1.6Vrms	10 ⁹ Ω	2500 VACrms	2500 VACrms	LESS ½ msec	LESS ½ AC CYCLE	LESS 473 PF	600 g
SDA-400D050H-1Z	500 V/μ sec	1.6Vrms	10 ⁹ Ω	2500 VACrms	2500 VACrms	LESS ½ msec	LESS ½ AC CYCLE	LESS 473 PF	600 g
SDA-400D075H-1Z	500 V/μ sec	1.6Vrms	10 ⁹ Ω	2500 VACrms	2500 VACrms	LESS ½ msec	LESS ½ AC CYCLE	LESS 473 PF	600 g
SDA-400D090H-1Z	500 V/μ sec	1.6Vrms	10 ⁹ Ω	2500 VACrms	2500 VACrms	LESS ½ msec	LESS ½ AC CYCLE	LESS 473 PF	600 g
SDA-400D100H-1Z	500 V/μ sec	1.6Vrms	10 ⁹ Ω	2500 VACrms	2500 VACrms	LESS ½ msec	LESS ½ AC CYCLE	LESS 473 PF	600 g

PARTS NO.

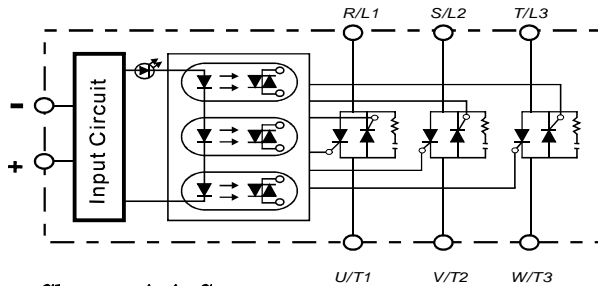
SDA-400D025H-1Z

Switching Type : Z = Zero Crossing
 Packing : 1 = Screw Type
 Phase : H = Heater Load
 Loading Current : 025 = 25A, 040 = 40A, 050 = 50A, 075 = 75A, 090 = 90A, 100 = 100A
 Control Voltage : C = 12-32VDC
 Loading Voltage : 400 = 48~480VAC
 Control Type : DA = DC Control AC
 S = S.S.R

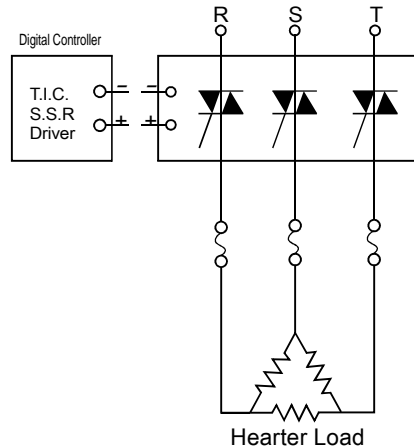
Outline Dimensions (Unit : mm)



Equivalent Circuit



Example : 3 φ S.S.R Application



Characteristic Curves

