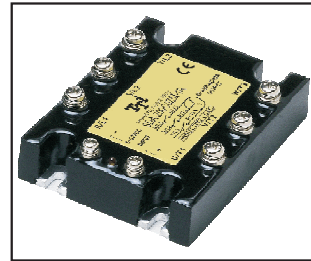


## SDA SERIES SOLID STATE RELAY

**SDA-200C025K-1R**  
**SDA-200C040K-1R**  
**SDA-200C050K-1R**  
**SDA-200C075K-1R**  
**SDA-200C090K-1R**  
**SDA-200C100K-1R**



**DC Control AC Loading S.S.R**

## Specifications

MODEL SERIES NO.	CONTROL VOLTAGE	MUST TURN OFF VOLTAGE	INPUT IMPEDANCE	LOADING CURRENT	LOADING VOLTAGE	MIN BLOCKING VOLTAGE	MAX OFF-STATE LEAKAGE	FREQUENCY RANGE	MAX 1-CYCLE PEAK SURGE
SDA-200C025K-1R	5 - 32 VDC	MAX 3.0 VDC	1.5 K $\Omega$	25A	24 ~ 280VAC	600VAC	LESS 10 mA	47-70HZ	250A
SDA-200C040K-1R	5 - 32 VDC	MAX 3.0 VDC	1.5 K $\Omega$	40A	24 ~ 280VAC	600VAC	LESS 10 mA	47-70HZ	400A
SDA-200C050K-1R	5 - 32 VDC	MAX 3.0 VDC	1.5 K $\Omega$	50A	24 ~ 280VAC	600VAC	LESS 10 mA	47-70HZ	500A
SDA-200C075K-1R	5 - 32 VDC	MAX 3.0 VDC	1.5 K $\Omega$	75A	24 ~ 280VAC	600VAC	LESS 10 mA	47-70HZ	750A
SDA-200C090K-1R	5 - 32 VDC	MAX 3.0 VDC	1.5 K $\Omega$	90A	24 ~ 280VAC	600VAC	LESS 10 mA	47-70HZ	900A
SDA-200C100K-1R	5 - 32 VDC	MAX 3.0 VDC	1.5 K $\Omega$	100A	24 ~ 280VAC	600VAC	LESS 10 mA	47-70HZ	1000A

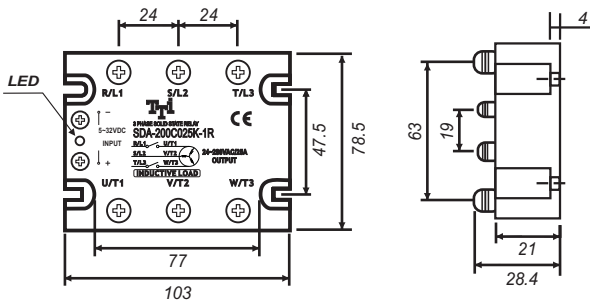
MODEL SERIES NO.	MAX OFF STATE dv/dt	MAX ON-STATE VOLTAGE DROP	ISOLATE IMPEDENCE	DIELECTRIC STRENGTH INPUT-OUTPUT	DIELECTRIC STRENGTH INPUT-OUTPUT-CASE	TURN ON TIME	TURN OFF TIME	CAPACITANCE IN-OUT	WEIGHT (g)
SDA-200C025K-1R	500 V/ $\mu$ sec	1.6Vrms	10 <sup>9</sup> $\Omega$	4000 VACrms	4000 VACrms	LESS 2 msec	LESS 1/2 AC CYCLE	LESS 473 PF	400 g
SDA-200C040K-1R	500 V/ $\mu$ sec	1.6Vrms	10 <sup>9</sup> $\Omega$	4000 VACrms	4000 VACrms	LESS 2 msec	LESS 1/2 AC CYCLE	LESS 473 PF	400 g
SDA-200C050K-1R	500 V/ $\mu$ sec	1.6Vrms	10 <sup>9</sup> $\Omega$	4000 VACrms	4000 VACrms	LESS 2 msec	LESS 1/2 AC CYCLE	LESS 473 PF	400 g
SDA-200C075K-1R	500 V/ $\mu$ sec	1.6Vrms	10 <sup>9</sup> $\Omega$	4000 VACrms	4000 VACrms	LESS 2 msec	LESS 1/2 AC CYCLE	LESS 473 PF	400 g
SDA-200C090K-1R	500 V/ $\mu$ sec	1.6Vrms	10 <sup>9</sup> $\Omega$	4000 VACrms	4000 VACrms	LESS 2 msec	LESS 1/2 AC CYCLE	LESS 473 PF	400 g
SDA-200C100K-1R	500 V/ $\mu$ sec	1.6Vrms	10 <sup>9</sup> $\Omega$	4000 VACrms	4000 VACrms	LESS 2 msec	LESS 1/2 AC CYCLE	LESS 473 PF	400 g

## Parts No.

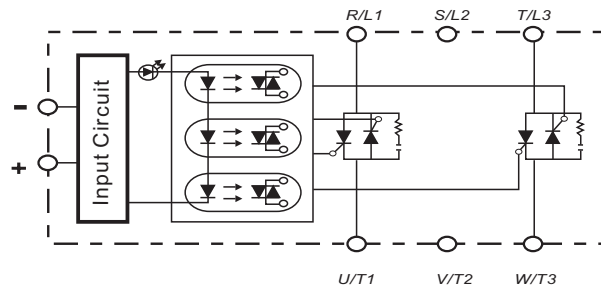
**SDA-200C025K-1R**

Switching Type : R = Random Switching  
Packing : 1 = Screw Type  
Phase : K = Inductive Load (Three-Phase Two Line)  
Loading Current : 025 = 25A, 040 = 40A, 050 = 50A  
                          075 = 75A, 090 = 90A, 100 = 100A  
Control Voltage : C = 5-32VDC  
Loading Voltage : 200 = 24~280VAC  
Control Type : DA = DC Control AC  
S = S.S.R

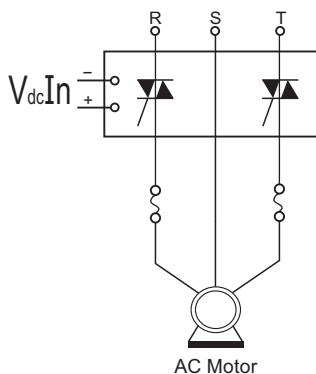
## Outline Dimensions (Unit : mm)



## Equivalent Circuit

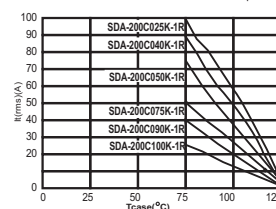


## Example : 3 $\phi$ S.S.R Application



## Characteristic Curves

RMS On-state Current Versus Case Temperature



Non Repetitive Surge On-state Current Versus Number Of Cycles

