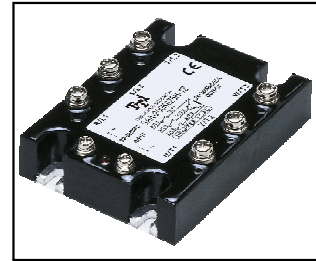


**SAA SERIES SOLID STATE RELAY**

**SAA-200K025H-1Z**  
**SAA-200K040H-1Z**  
**SAA-200K050H-1Z**  
**SAA-200K075H-1Z**  
**SAA-200K090H-1Z**  
**SAA-200K100H-1Z**



**AC Control AC Loading S.S.R**

**Specifications**

MODEL SERIES NO.	CONTROL VOLTAGE	MUST TURN OFF VOLTAGE	INPUT IMPEDANCE	LOADING CURRENT	LOADING VOLTAGE	MIN BLOCKING VOLTAGE	MAX OFF-STATE LEAKAGE	FREQUENCY RANGE	MAX 1-CYCLE PEAK SURGE
SAA-200K025H-1Z	80 ~ 280 VAC	MAX 9.5 VDC	1.5 KΩ	25A	24 ~ 280VAC	600VAC	LESS 10 mA	47-63HZ	315A
SAA-200K040H-1Z	80 ~ 280 VAC	MAX 9.5 VDC	1.5 KΩ	40A	24 ~ 280VAC	600VAC	LESS 10 mA	47-63HZ	450A
SAA-200K050H-1Z	80 ~ 280 VAC	MAX 9.5 VDC	1.5 KΩ	50A	24 ~ 280VAC	600VAC	LESS 10 mA	47-63HZ	560A
SAA-200K075H-1Z	80 ~ 280 VAC	MAX 9.5 VDC	1.5 KΩ	75A	24 ~ 280VAC	600VAC	LESS 10 mA	47-63HZ	750A
SAA-200K090H-1Z	80 ~ 280 VAC	MAX 9.5 VDC	1.5 KΩ	90A	24 ~ 280VAC	600VAC	LESS 10 mA	47-63HZ	900A
SAA-200K100H-1Z	80 ~ 280 VAC	MAX 9.5 VDC	1.5 KΩ	100A	24 ~ 280VAC	600VAC	LESS 10 mA	47-63HZ	1030A

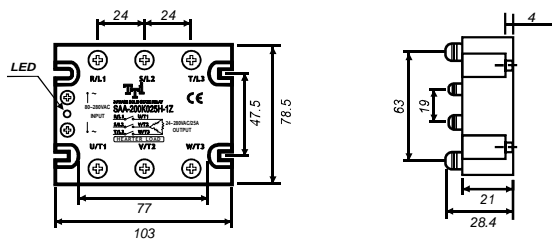
MODEL SERIES NO.	MAX OFF STATE dv/dt	MAX ON-STATE VOLTAGE DROP	ISOLATE IMPEDANCE	Dielectric STRENGTH INPUT-OUTPUT	Dielectric STRENGTH INPUT,OUTPUT-CASE	TURN ON TIME	TURN OFF TIME	CAPACITANCE IN-OUT	WEIGHT (g)
SDA-200C025H-1Z	250 V/μ sec	1.6Vrms	10 <sup>9</sup> Ω	2500 VACrms	2500 VACrms	LESS ½ msec	LESS ½ AC CYCLE	LESS 473 PF	600 g
SDA-200C040H-1Z	250 V/μ sec	1.6Vrms	10 <sup>9</sup> Ω	2500 VACrms	2500 VACrms	LESS ½ msec	LESS ½ AC CYCLE	LESS 473 PF	600 g
SDA-200C050H-1Z	250 V/μ sec	1.6Vrms	10 <sup>9</sup> Ω	2500 VACrms	2500 VACrms	LESS ½ msec	LESS ½ AC CYCLE	LESS 473 PF	600 g
SDA-200C075H-1Z	250 V/μ sec	1.6Vrms	10 <sup>9</sup> Ω	2500 VACrms	2500 VACrms	LESS ½ msec	LESS ½ AC CYCLE	LESS 473 PF	600 g
SDA-200C090H-1Z	250 V/μ sec	1.6Vrms	10 <sup>9</sup> Ω	2500 VACrms	2500 VACrms	LESS ½ msec	LESS ½ AC CYCLE	LESS 473 PF	600 g
SDA-200C100H-1Z	250 V/μ sec	1.6Vrms	10 <sup>9</sup> Ω	2500 VACrms	2500 VACrms	LESS ½ msec	LESS ½ AC CYCLE	LESS 473 PF	600 g

**PARTS NO.**

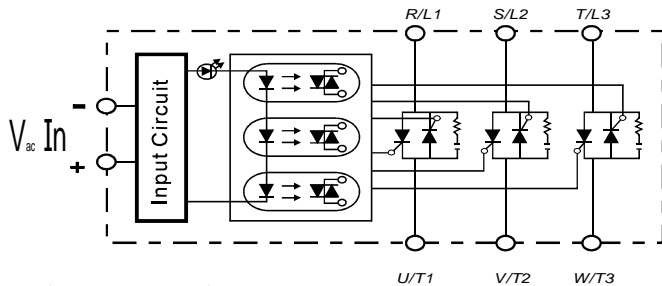
**SAA-200K025H-1Z**

Switching Type : Z = Zero Crossing  
 Packing : 1 = Screw Type  
 Phase : H = Heater Load  
 Loading Current : 025 = 25A, 040 = 40A, 050 = 50A, 075 = 75A, 090 = 90A, 100 = 100A  
 Control Voltage : K = 80~280VAC  
 Loading Voltage : 200 = 24~280VAC  
 Control Type : AA = AC Control AC  
 S = S.S.R

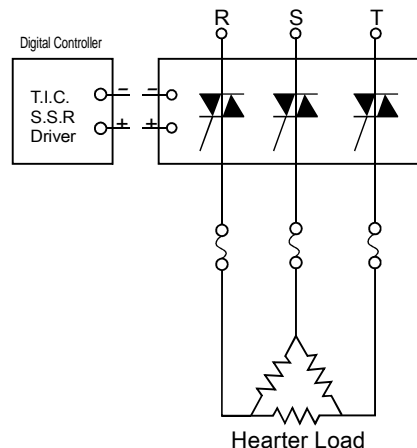
**Outline Dimensions(Unit : mm)**



**Equivalent Circuit**



**Example : 3φ S.S.R Application**



**Characteristic Curves**

